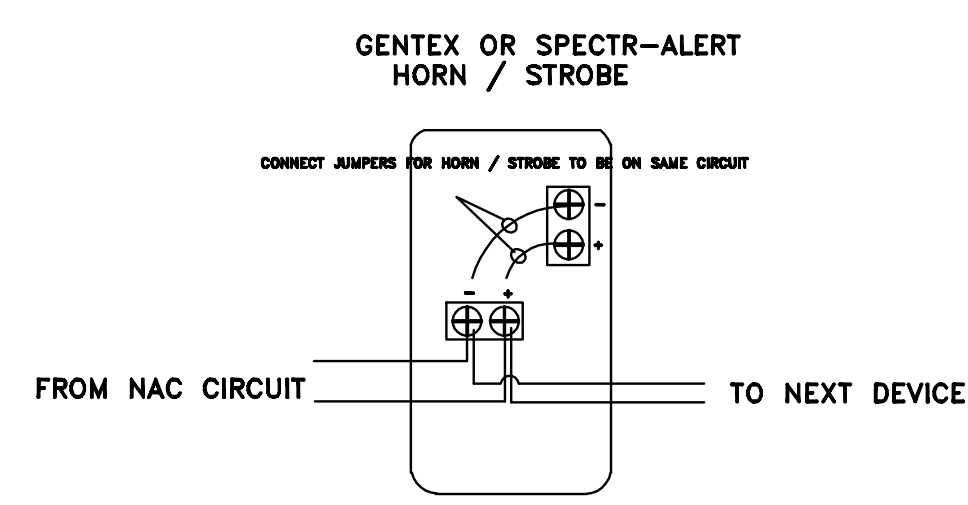
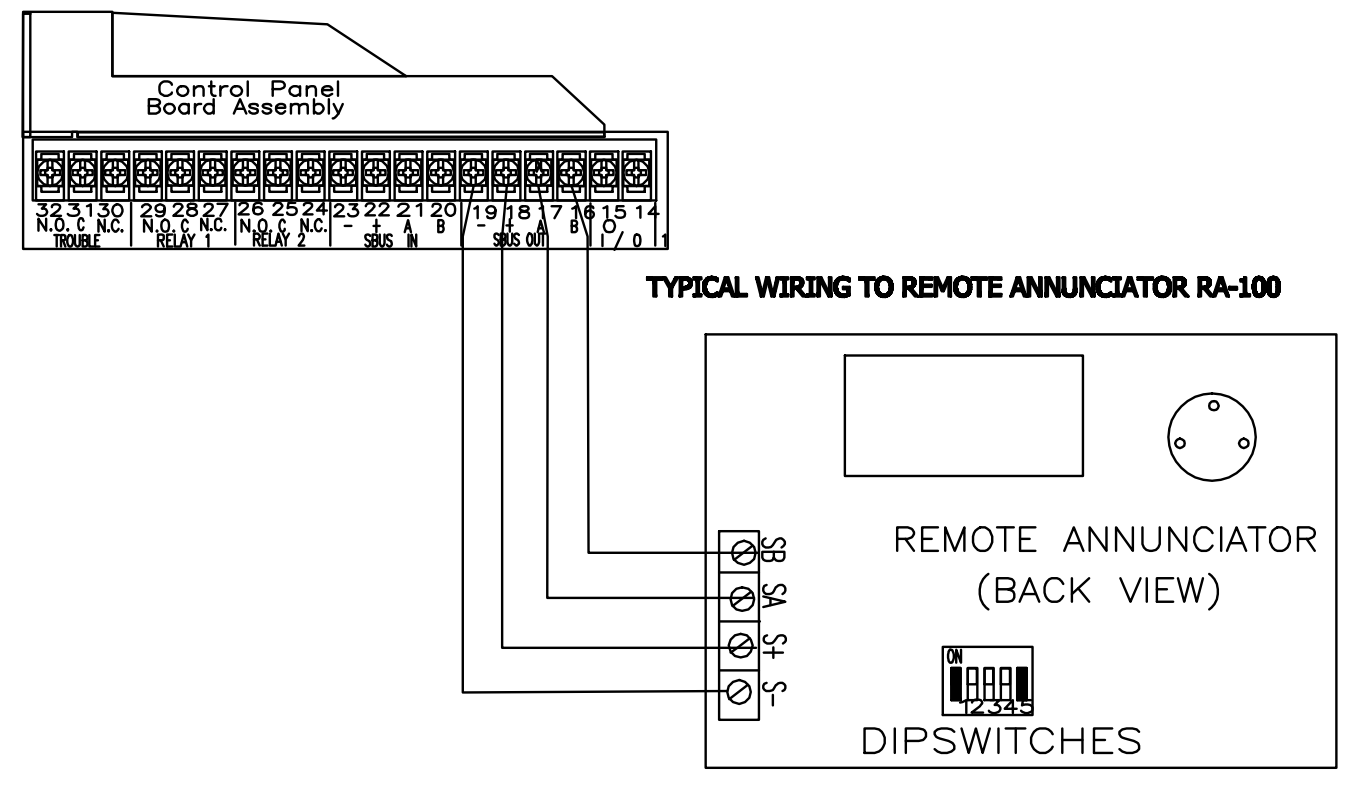
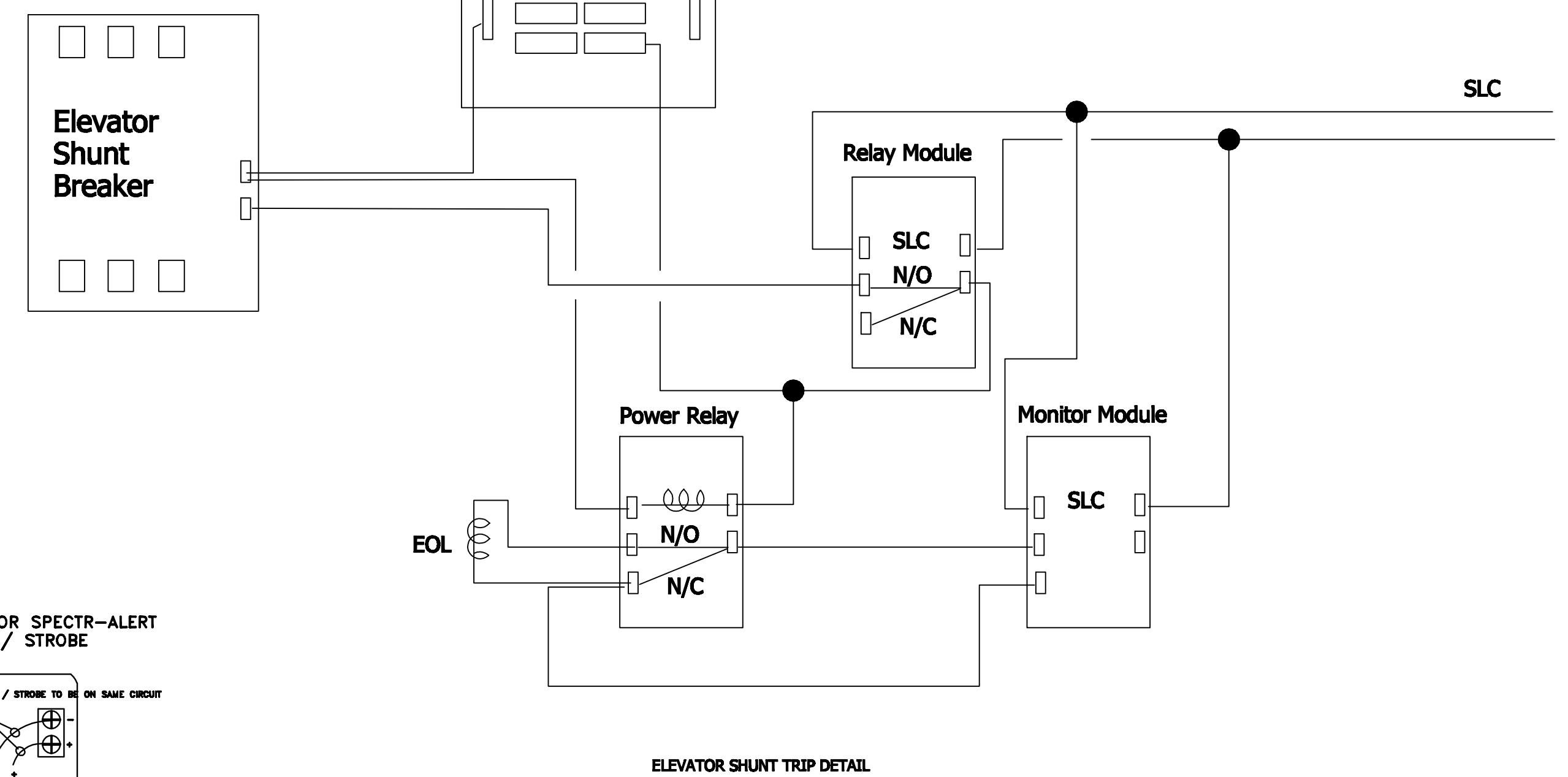
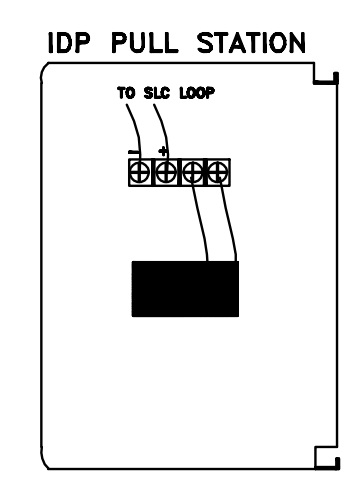
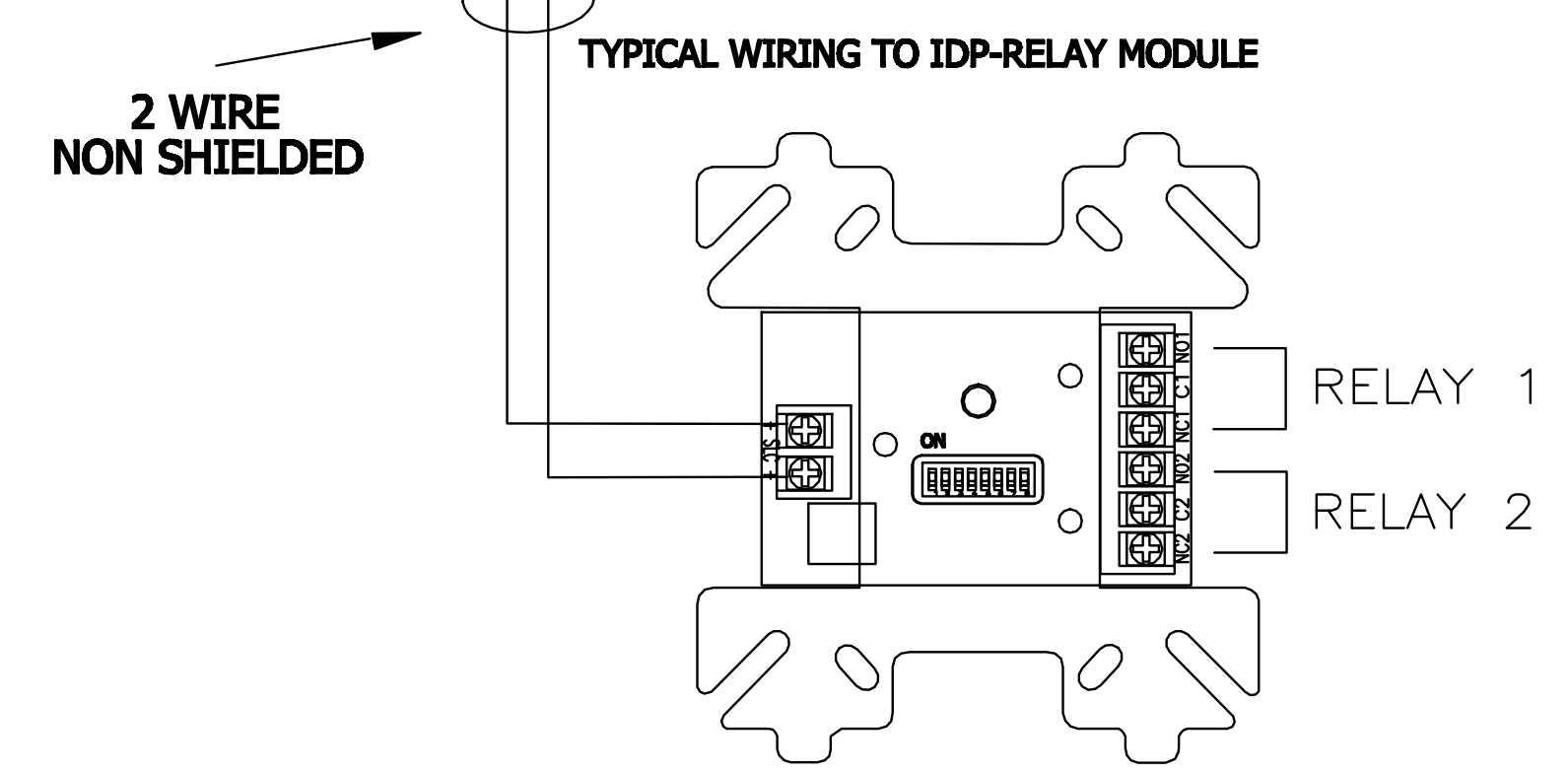
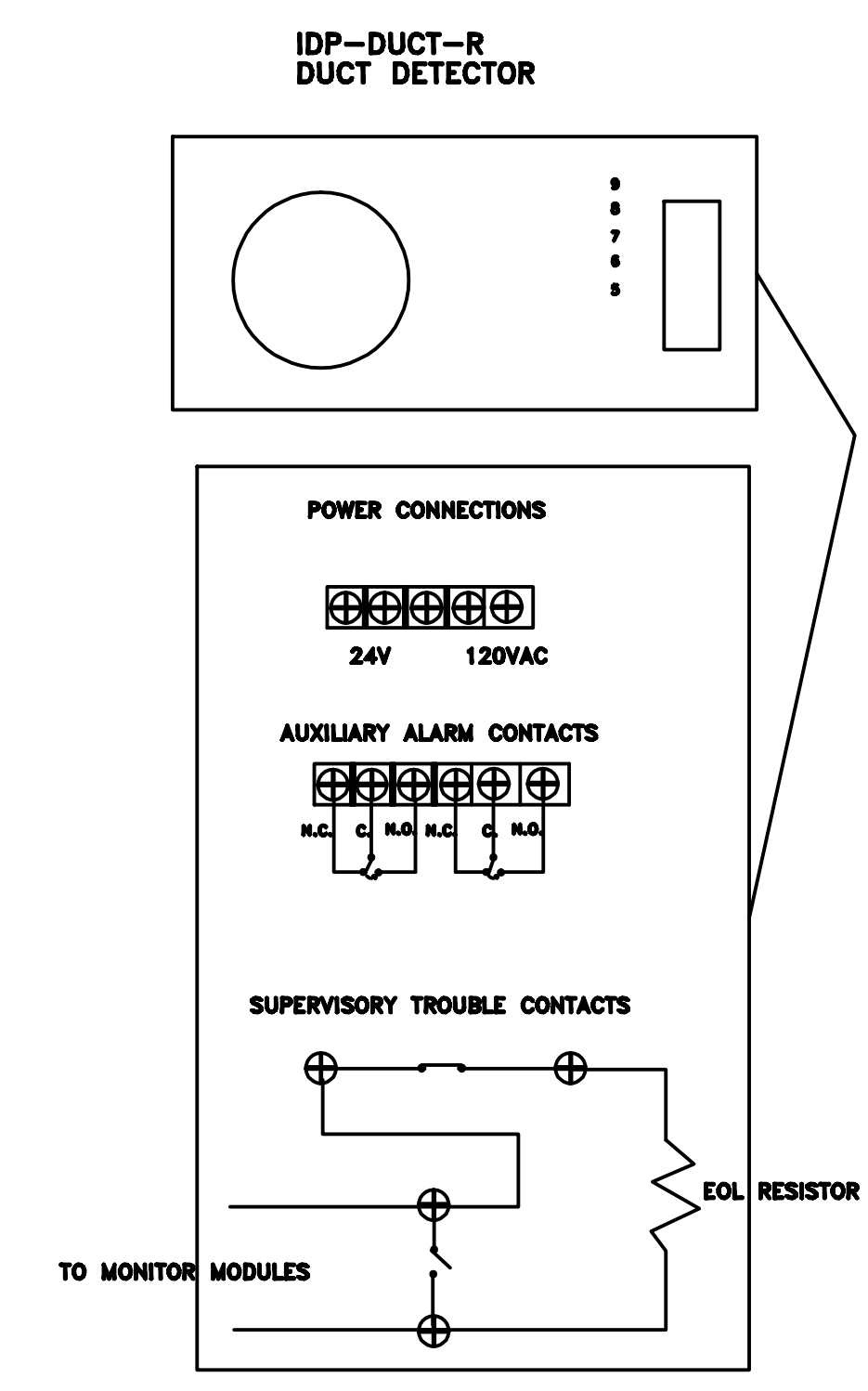
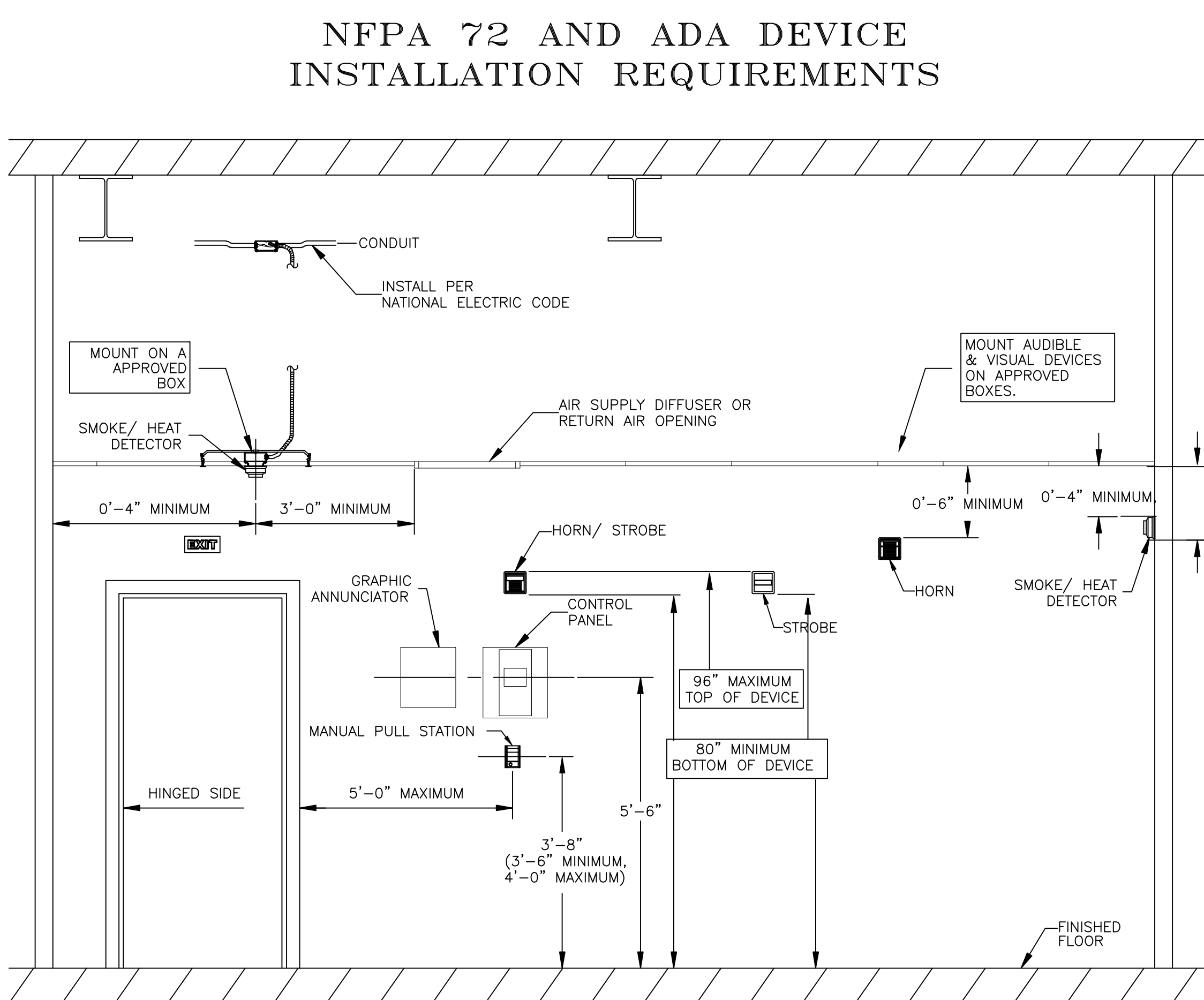
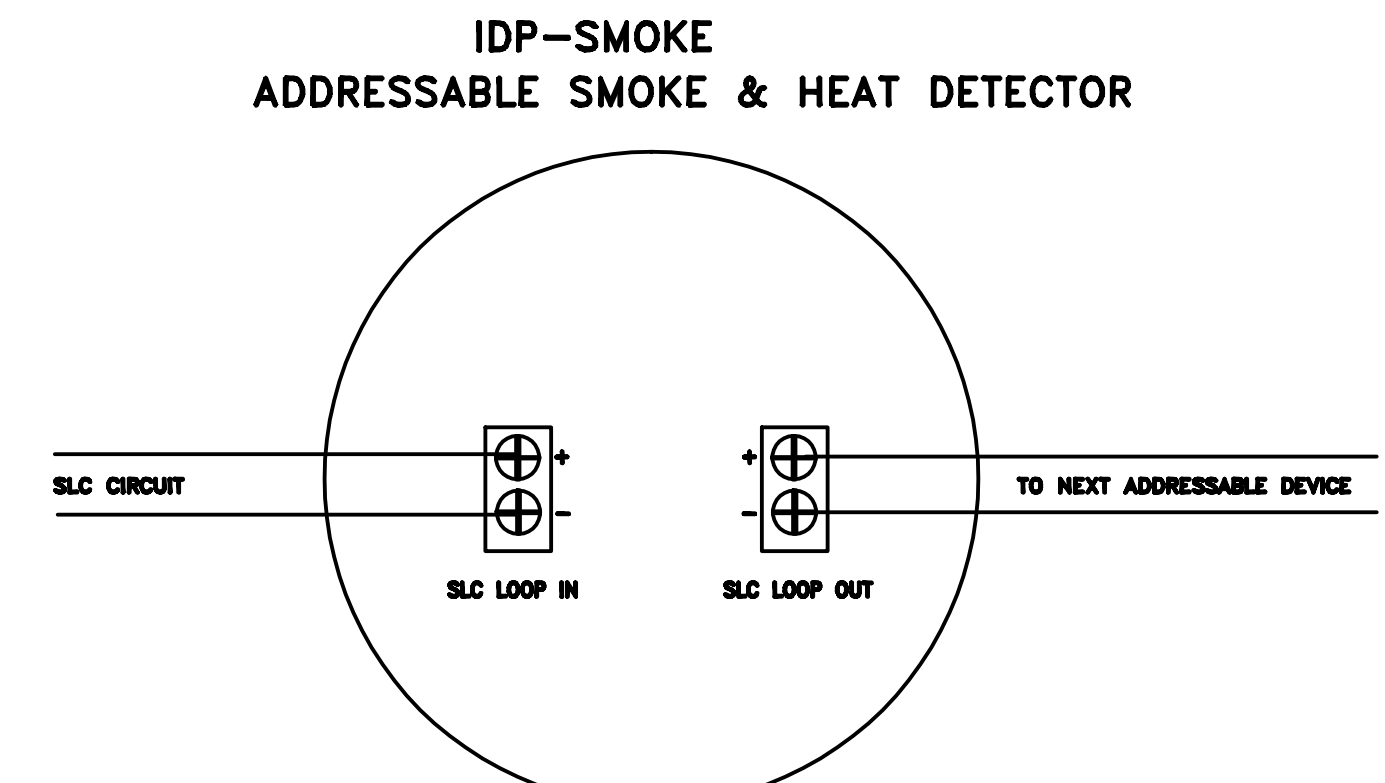
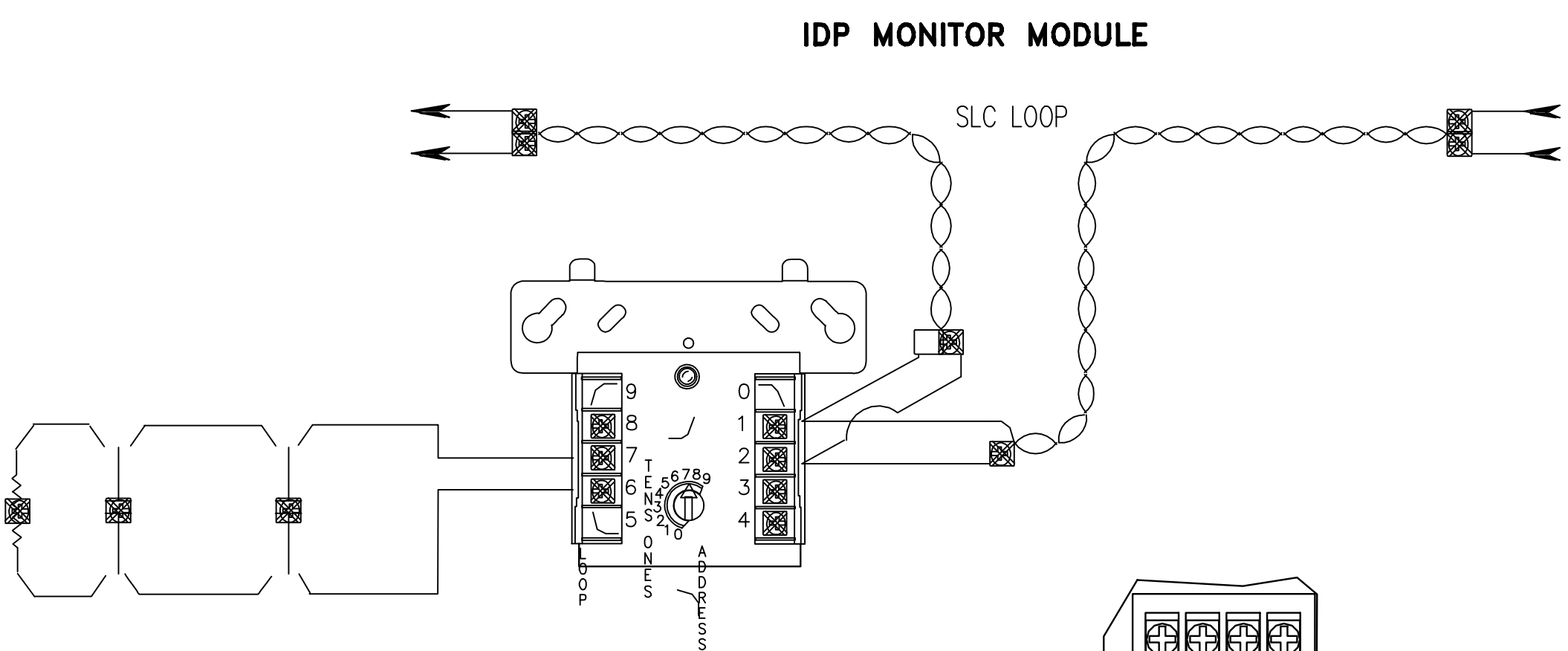
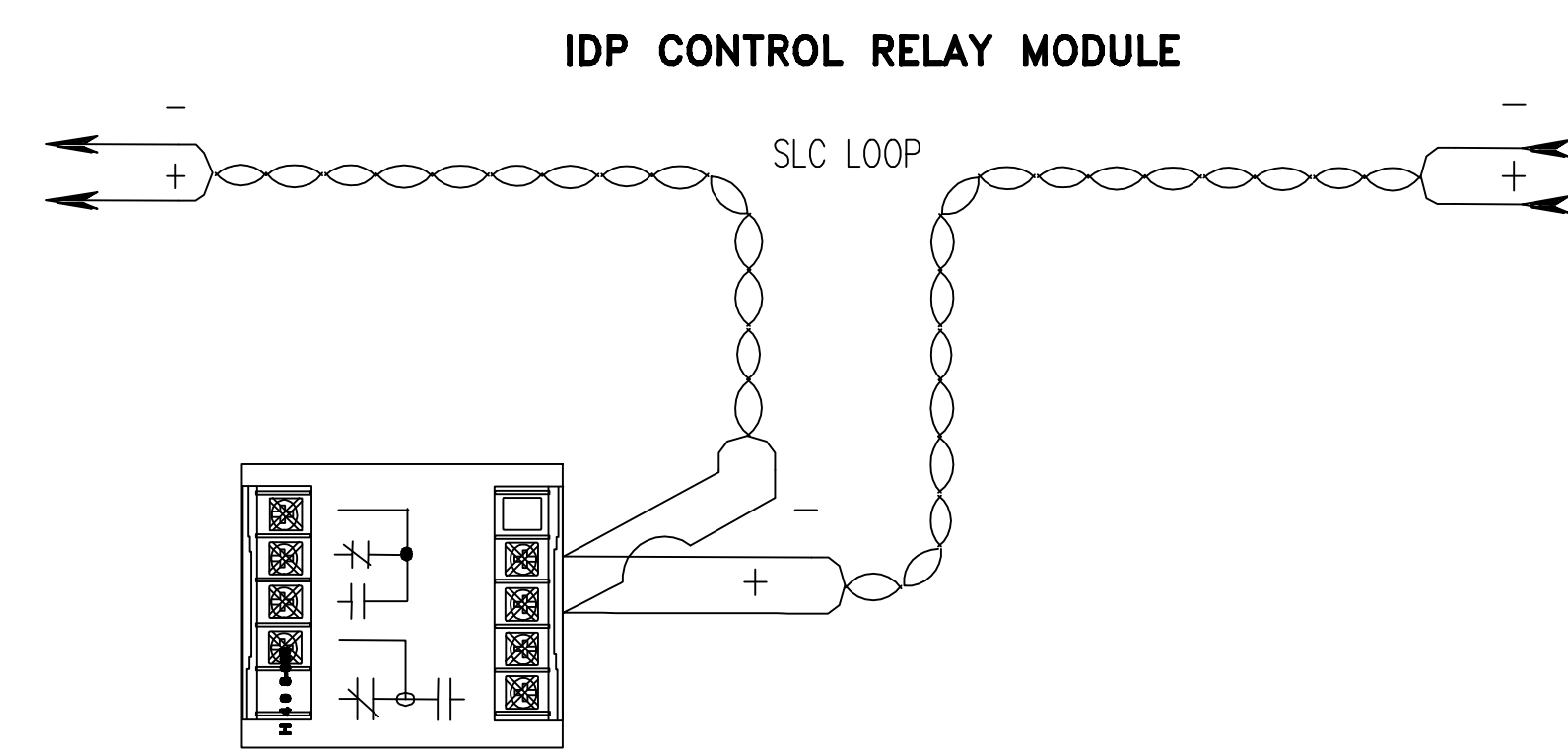


**FIRE ALARM SYSTEM INPUT/OUTPUT MATRIX**

SYSTEM INPUTS	SYSTEM OUTPUTS																				
	FACP ANNUNCIATION					NOTIFICATION					REQUIRED FIRE SAFETY CONTROL										
	A	B	C	D	E	F	G	H	I	J	K	L	M	N	O	P	Q	R	S	T	U
1 FIRE ALARM SYSTEM AC POWER FAILURE																					
2 FIRE ALARM SYSTEM LOW BATTERY																					
3 OPEN CIRCUIT																					
4 GROUND FAULT																					
5 NOTIFICATION APPLIANCE CIRCUIT SHORT																					
6 BUILDING MANUAL PULL STATIONS																					
7 CORRIDOR SMOKE DETECTORS																					
8 AREA SMOKE DETECTORS																					
9 HVAC AIR DUCT SMOKE DETECTORS																					
10 SPRINKLER TAMPER SWITCH																					
11 SPRINKLER WATER FLOW IN BUILDING																					
12 SPRINKLER WATER FLOW IN ELEV EQUIP RM OR SHAFT																					
13 ELEV EQUIP RM AREA SMOKE DETECTOR																					
14 ELEV SHAFT AND ELEV EQUIP RM HEAT DETECTORS																					
15 ELEV LOBBY SMOKE DETECTORS - UPPER FLOORS																					
16 ELEV LOBBY SMOKE DETECTOR - RECALL FLOOR																					
17 ELEV CONTROLLER POWER SHUNT TRIP STATUS																					
18																					
19																					



**THE PYROCADD COMPANY, LLC**  
 A FIRE SYSTEM DESIGN FIRM  
 P.O. Box 51387  
 Myrtle Beach, SC 29578  
 WWW.PYROCADD.COM

PHONE: Myrtle Beach 843-743-8888  
 Raleigh, NC 919-212-7788  
 Toll Free 888-238-8817  
 EMAIL: PYROCADD@GMAIL.COM

**PIEDMONT FIRE PROTECTION SYSTEMS**

3609 Boston Lane  
 Raleigh, NC 27604  
 Tel: 919.212.2356  
 Fax: 919.212.2357  
 www.piedmontfire.com

Project No.	10-102-31
Drawn By	DWR
Scale	N/A
Date	5-12-10

Drawing Title	DETAILS & MATRIX
Proj. Date	
Revisions	

Job: Durham Elem. School-E  
 1470 Old Oxford Rd  
 DURHAM, NC  
 Contractor: